



PERMANENT MAGNET LIFTER

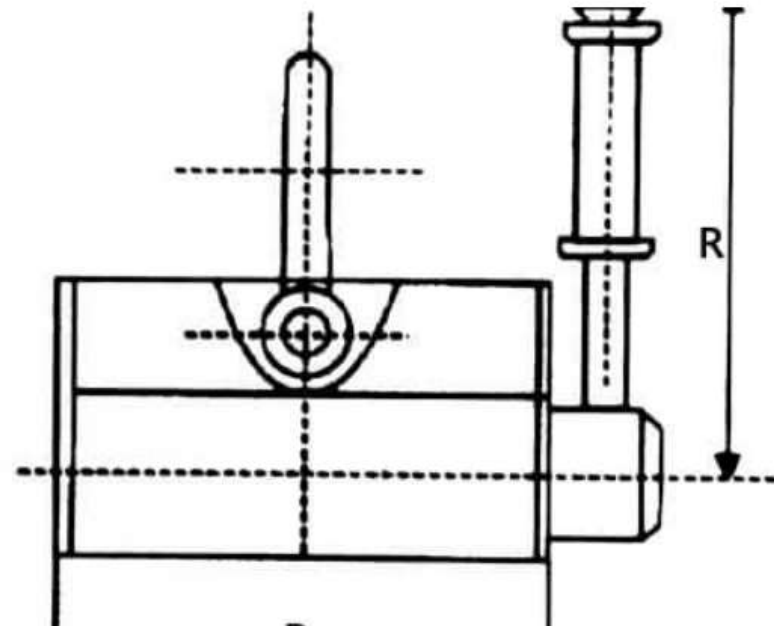
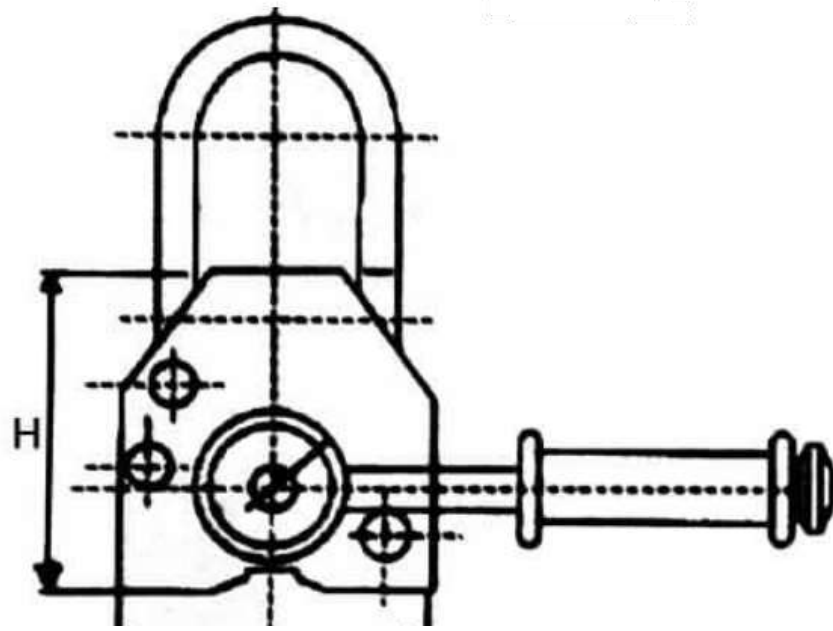
A permanent lifting magnet, also called as on/of rare earth permanent magnetic lifter, is a lifting device that has a block with the main body and a rotor. It has two magnets in the main body and rotor each. These two magnets, when positioned in the same direction, produce magnetic flux that reaches the metallic objects to be lifted.

This type of magnetic lifting device can attract, hold and release a flat ferrous part alternatively every time it raises from ground and lands on the ground, without manually turning a lever and without any electrical power supply. It is a necessity for loading and unloading steel plates from burn tables or anywhere that limits operator access, and performing repetitive lifting task.

Advantages:

- Cheap
- No need electricity
- Using rare earth magnetic materials, suffice to lift small steel load





Permanent Magnet lifter

TC Model safety factor 3.5:1

Model	Rated Lifting	Cylindrical Lifting	Max pull-off	L	B	H	R	Operation	Net Weight
	Strength	Strength	Strength					temperature	
	kgf	kgf	kgf					(°C)	
TC100	100	50	350	62	92	67	140	<80	3
TC300	300	150	1050	92	163	93	180	<80	10
TC500	500	250	1750	120	216	116	220	<80	21
TC600	600	300	2100	122	234	118	220	<80	24
TC1000	1000	500	3500	172	264	168	260	<80	50
TC2000	2000	1000	7000	232	370	221	450	<80	125
TC3000	3000	1500	10500	274	453	266	520	<80	200
TC5000	5000	2500	17500	296	720	266	700	<80	298